



MM5033 November 1991

*Harris Analog*

## HA-5033 SPICE BUFFER AMPLIFIER MACRO-MODEL

Author: David Riemer

### *Introduction*

This application note describes the SPICE macro-model for the HA-5033, a wide bandwidth, high output current, buffer amp. The model was designed to be compatible with the well known SPICE program developed by the University of California in hope that most simulation software vendors follow this basic format and syntax. A schematic of the macro-model, the Spice net listing and various simulated performance curves are included. The macro-model schematic includes node numbers to help relate the SPICE listing to the schematic. The model is designed to emulate a typical rather than a worst case part. Most AC and DC parameters are simulated. Significant poles and zeros are included to give the most accurate AC and transient simulation with minimum complexity.

### *Model Description*

CIN and RIN represent the input parasitics of the HA-5033, with voltage source VIO modelling the offset voltage. Diodes DI1, DI2, DO1, and DO2 with current sources IP and IN and capacitor CP model slew rate. Current source IIN provides the DC input current. Power supply current is modeled by current source IPS.

The most significant singularities of the HA-5033 are modeled by EP1,2 and ECP, RP1,2, RCP, CP1,2, CCP and LCP.

Source EO and elements RO and CO model the output stage and package parasitics.

### *Parameters Not Modeled*

To maintain a simple macro-model not all op amp parameters are modeled. Most of the parameters not modeled are listed below:

- Power Supply Range
- Temperature Effects
- Input and Output Voltage Limits.
- Input Voltage and Current Noise.
- Tolerances for Monte Carlo Analysis
- Power Supply Current Tracking of Output Current.

*Harris Corporation, Semiconductor Sector, makes no warranty, either expressed or implied, including but not limited to any warranties or merchantability and fitness for a particular purpose using this macro-model. This macro-model is provided solely and exclusively for use by Harris customers to assist them in the assessment of this product for possible applications. In no event will Harris be liable for special, collateral, incidental, or consequential damages in connection with or arising out of the use of the macro-model. Although every effort has been made to ensure accuracy of the information contained in this application note, Harris assumes no responsibility for inadvertent errors. Harris reserves the right to make changes to the product and the macro-model without prior notice.*

**Spice Listing**

\*  
 \*COPYRIGHT (C) 1991 HARRIS CORPORATION  
 \*ALL RIGHTS RESERVED  
 \*

\*HA-5033 MACRO-MODEL  
 \*REV: 7-29-91  
 \*BY: D.W. RIEMER  
 \*

\*PINOUT:        IN   VCC   VEE   OUT  
 \*

.SUBCKT HA5033 2 3 4 1  
 .MODEL D1 D IS=5.57E-11 N=1 RS=10  
 \*

\*INPUT STAGE  
 \*

\*OFFSET VOLTAGE MAY BE VARIED BY  
 ADJUSTING THE VALUE OF SOURCE VIO.  
 \*

VIO 2 6 +3E-03  
 RIN 6 0 +1.5E+06  
 CIN 6 0 +1E-12  
 IIN 6 0 +2E-05  
 IP 3 12 +2E-04  
 IN 13 4 +2E-04  
 DO1 12 7 D1  
 DI2 6 13 D1  
 DO2 7 13 D1  
 DI1 12 6 D1  
 CP 7 0 +7.5E-14  
 \*

\*SINGULARITIES  
 \*

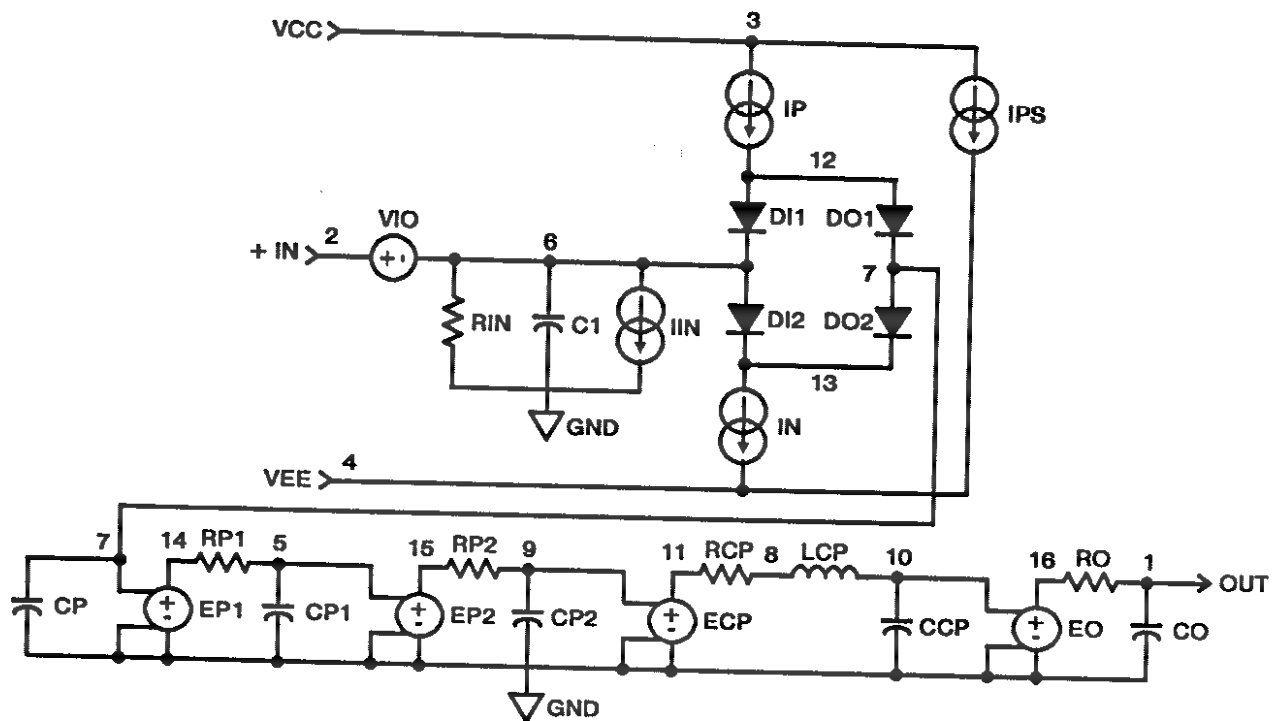
\*GAIN MAY BE ADJUSTED BY CHANGING  
 THE VALUE OF EP1 (0.995->?)  
 \*

EP1 14 0 7 0 0.995  
 EP2 15 0 5 0 1  
 ECP 11 0 9 0 1  
 RP1 14 5 500  
 RP2 15 9 100  
 RCP 11 8 +1E+03  
 LCP 8 10 +7.5E-07  
 CP1 5 0 +1E-12  
 CP2 9 0 +1E-12  
 CCP 10 0 +6E-13  
 \*

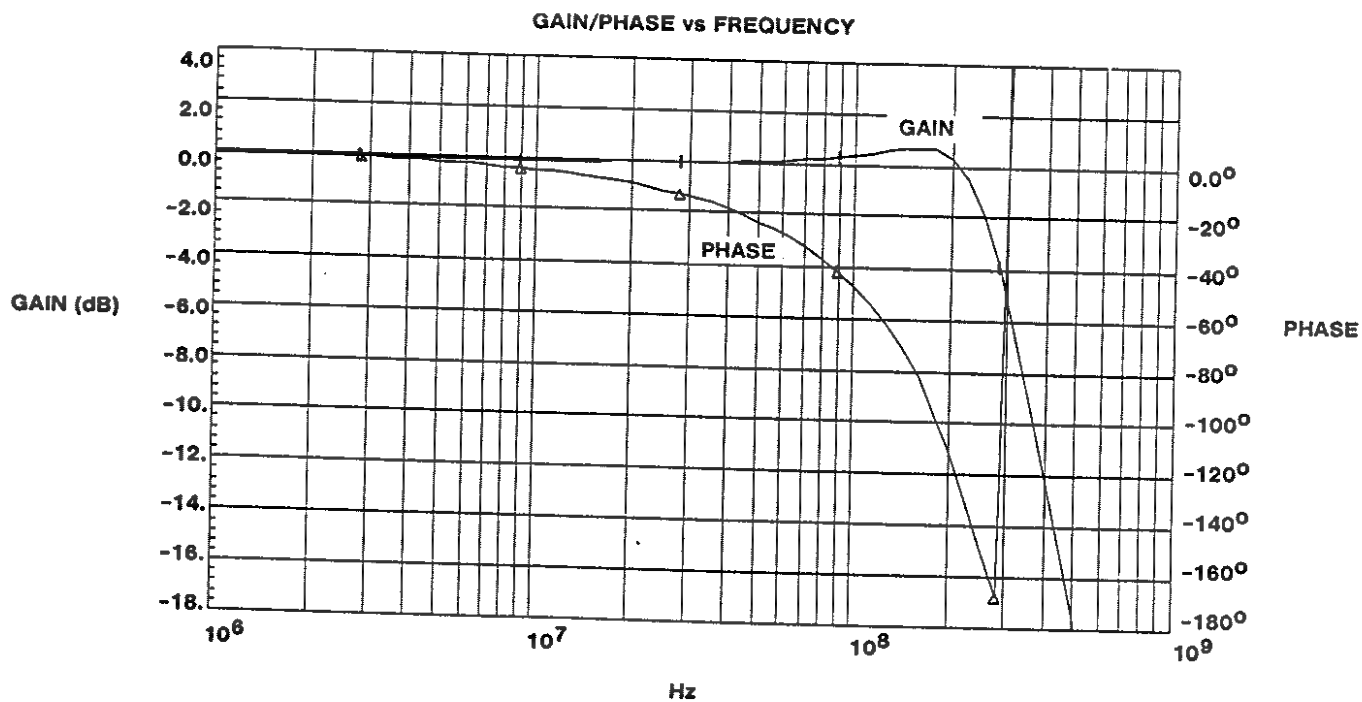
\*OUTPUT STAGE  
 \*

IPS 3 4 +2.1E-03  
 EO 16 0 10 0 1  
 RO 16 1 1  
 CO 1 0 +1E-12  
 .ENDS HA5033

Macro-Model Schematic

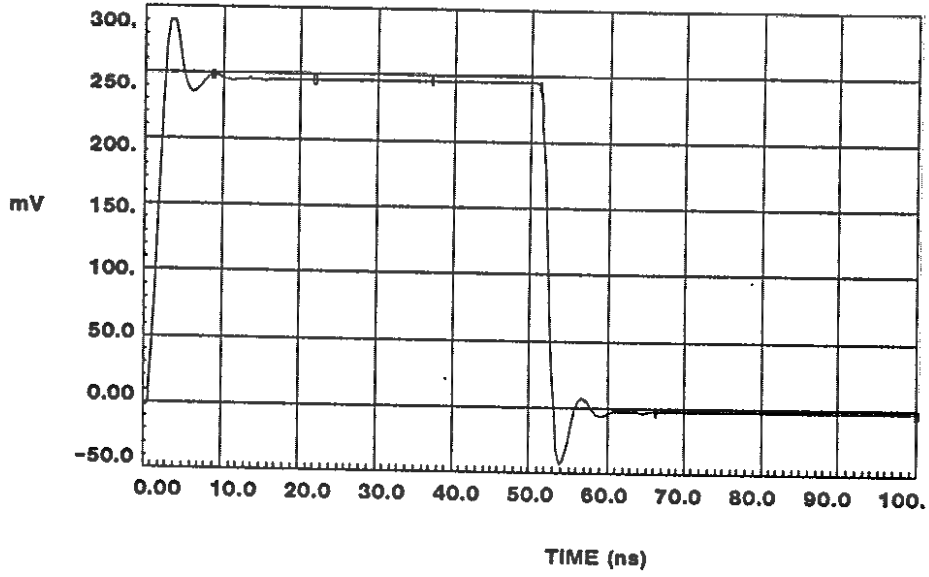


Model Performance



Model Performance (Continued)

SMALL SIGNAL RESPONSE



LARGE SIGNAL RESPONSE

